

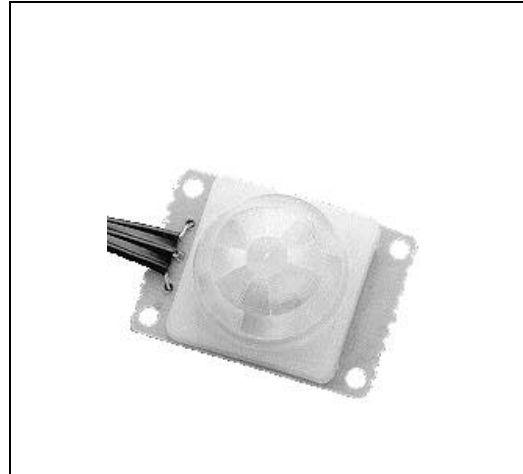
KC7783 PIR Sensor Module

General

KC7783 is a pyroelectric sensor module which developed for human body detection. A PIR detector combined with a fresnel lens are mounted on a compact size PCB together with an analog IC, KC778B, and limited components to form the module. High level output of variable width is provided.

Features

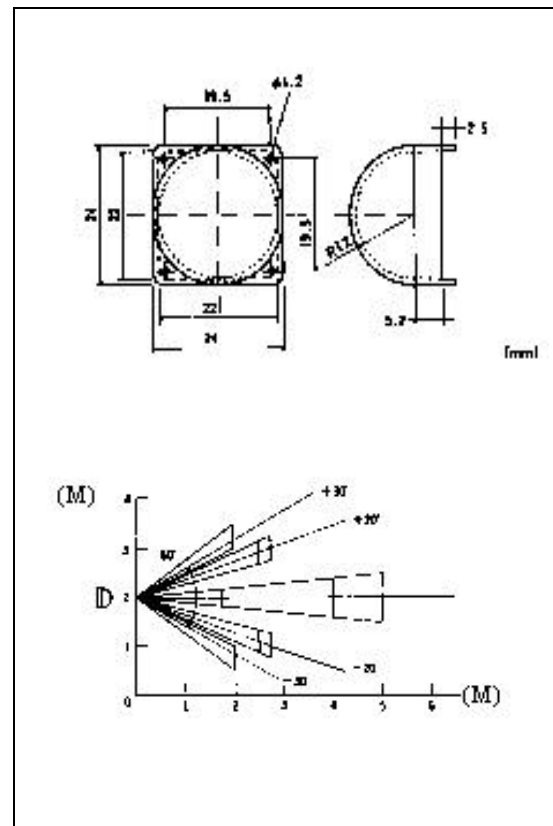
- Compact size (25 x 35 mm)
- Wide range of operation voltage 4-12V
- Special output pulse width can be requested
- TTL output can be directly connected to micro controller or logic device
- High sensitivity
- High RFI immunity
- Power up delay 25sec



Electrical Specification

Operation Voltage	4 - 12V
Operation Current	400 μ A at 5V
PIR Input Gain	68dB
Output Pulse Width	0.5 sec min
Operation Temperature	-20°C -50°C

Lens Information



Note :

Due to the high sensitivity of PIR sensor device, it is not recommended to use the module in the following or similar condition.

- A) in rapid environmental changes
- B) in strong shock or vibration
- C) in a place where there are obstructing material (eg. glass) through which IR cannot pass within detection area.
- D) exposed to direct sun light
- E) exposed to direct wind from a heater or air conditioner.